

kubus by Lassen.

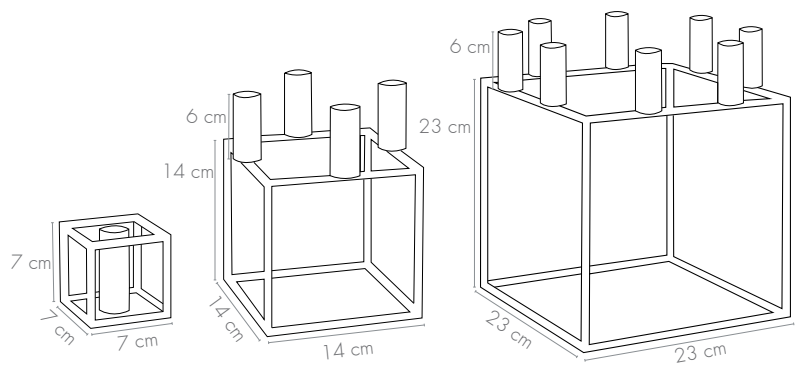
Copenhagen

by Lassen owns the rights to the designs of two of Denmark's greatest architects – Mogens Lassen (1901-1987) and Flemming Lassen (1902-1984). The Lassen brothers were extremely talented and were honoured with many awards and grants for their unique designs and iconic architecture. by Lassen is a family business whose simple mission is to carry the Lassen legacy forward – because good design lives on through new generations.



KUBUS

With a sharp sense of contemporary Functionalist style, Mogens Lassen designed the iconic Kubus candleholder in 1962, a piece once reserved solely for family and close architect colleagues. The Kubus is still crafted in Denmark, and among architects and design connoisseurs it has achieved the status of a modern international design icon.



Product: Kubus

Design: Mogens Lassen 1962

Color:

Colors: White, black, nickel-plated and copper.

Price: From 429 DKK / 57 EUR

Material: Lacquered steel, nickel-plated steel, copper-plated steel