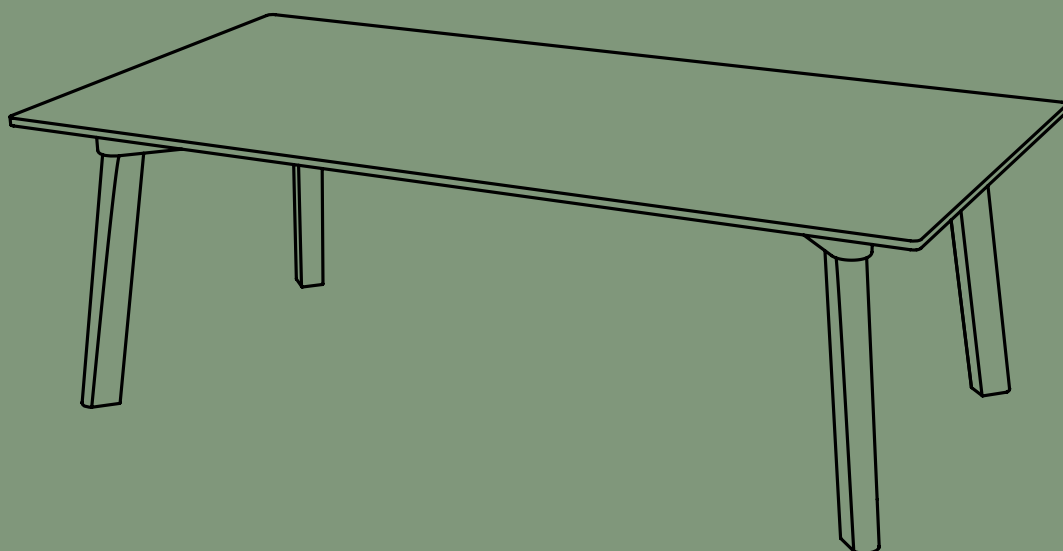


> INSTRUCTIONS MANUAL <

COPENHAGUE DEUX CPH250

L120 x W60 x H39 cm



By RONAN & ERWAN BOUROULLEC

HAY

> INTRODUCTION <

Copenhagen Deux is a range of tables and benches for compact spaces. The collection offers dining tables, coffee tables and benches in 12 different sizes. The tabletop surface is made from a new laminate based on Nanotechnology providing an extremely matt surface with a soft touch that is anti-fingerprint and easily cleaned.

> CARE AND MAINTENANCE <

When you move the table, make sure to lift it rather than pulling or pushing it, as that would damage the legs and mountings. We recommend that you tighten up the screws and nuts after one to two months' use. Avoid improper use such as putting your feet on the table and standing on it. Wood and linoleum are natural materials, which may change in colour and will patinate over time. To reduce changes avoid placing the table in direct sunlight or near a heat source. To avoid permanent stains, use coasters under damp, hot or coloured objects. We recommend that you avoid covering the surface partially, for example with tablecloths or place mats, as colour variances may appear. Always remove stains quickly before they can do any permanent damage to the tabletop.

CLEANING

Lacquered or painted wood / For daily maintenance, wipe the surface with a clean, dry cloth. For cleaning, use a clean cloth wrung in water or in a solution of water and a neutral detergent (soap flakes) or a care product suited especially for lacquered or painted wood. Remove soap residue immediately using a clean, dry cloth. To remove stains, use a clean, damp cloth wrung in lukewarm water with one part vinegar to nine parts water. Follow up immediately with a clean dry cloth. If the surface is scratched or appears matt, use lacquer care. Avoid using detergents containing silicone, as that would seal the stain in and make subsequent repairs more difficult. Avoid using scouring cream or scouring pads, as they may scratch the surface.

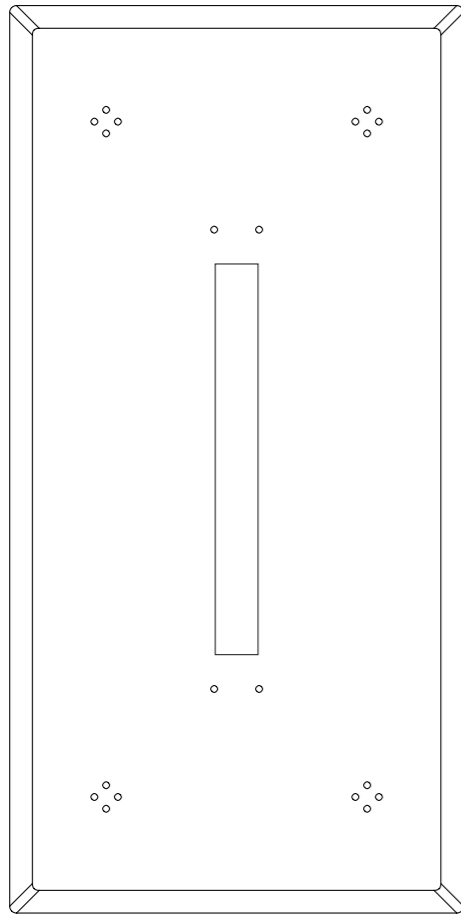
Untreated wood / For daily maintenance, wipe the wood with a clean, dry cloth. For cleaning, use a clean cloth wrung in water or in a solution of water and a neutral detergent (soap flakes) or a care product suited especially for untreated wood. Remove soap residue immediately using a clean, dry cloth. To remove stains, clean and scrub using a thick solution of soap flakes that is not allowed to stay on the wood for more than 2 minutes. Then remove the remaining soap residue using a damp cloth. If the grain of the wood rises after cleaning, gently sand down the wood using fine-grit sandpaper (No. 220), always going with the grain.

Nanolaminate / Clean the tabletop with a clean cloth wrung in a solution of water and a universal detergent. Soap residue and excess moisture should be removed immediately, using a clean, dry cloth. Stains and small scratches can be removed gently with a clean, damp cloth or a nano-sponge wrung in warm water. Never use the nano sponge dry. Follow up immediately with a clean, dry cloth. Avoid using abrasive products when cleaning nano-laminate, as they may scratch the surface.

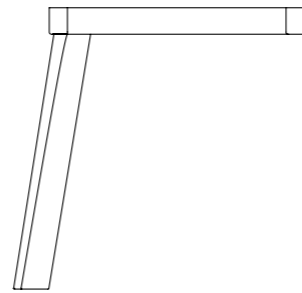
> PARTS <

1.

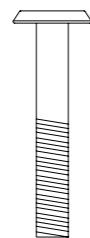
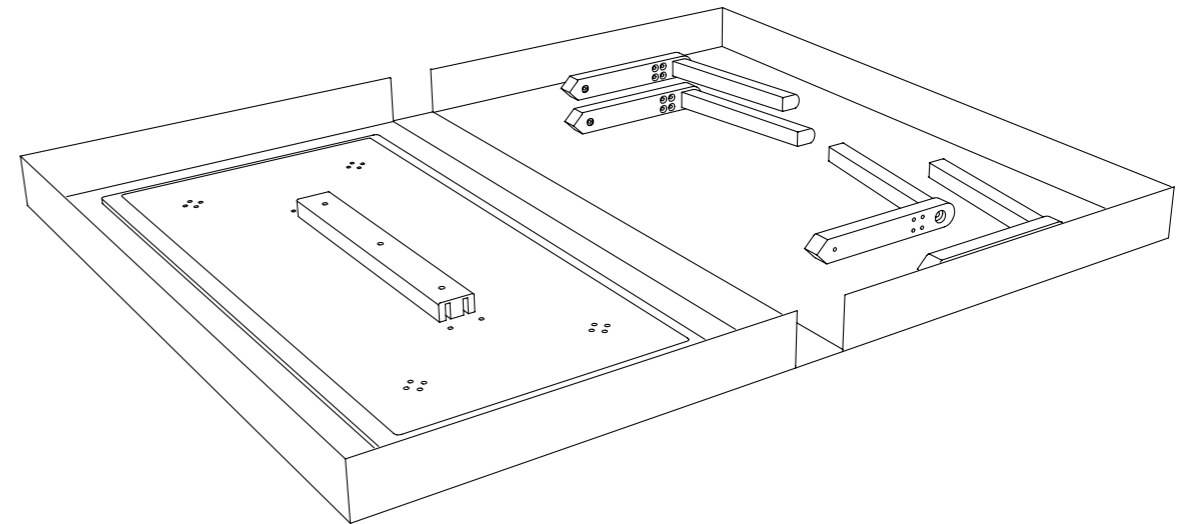
While assembling, keep the table inside the cardboard box to protect the tabletop from scratches etc. Make sure that all parts are included.



A x 1



B x 4



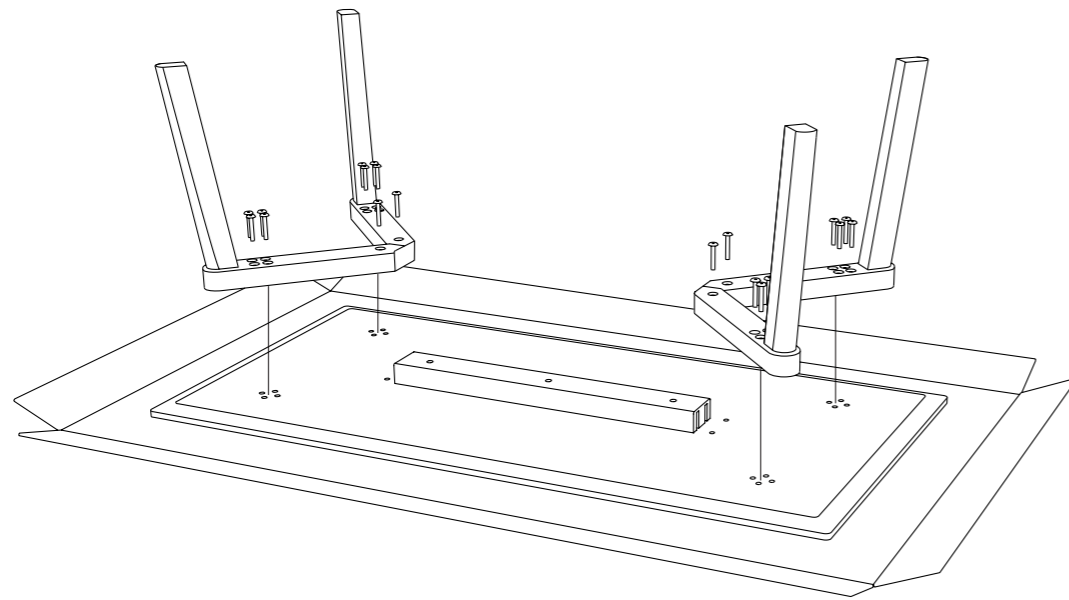
C x 20



Allen key

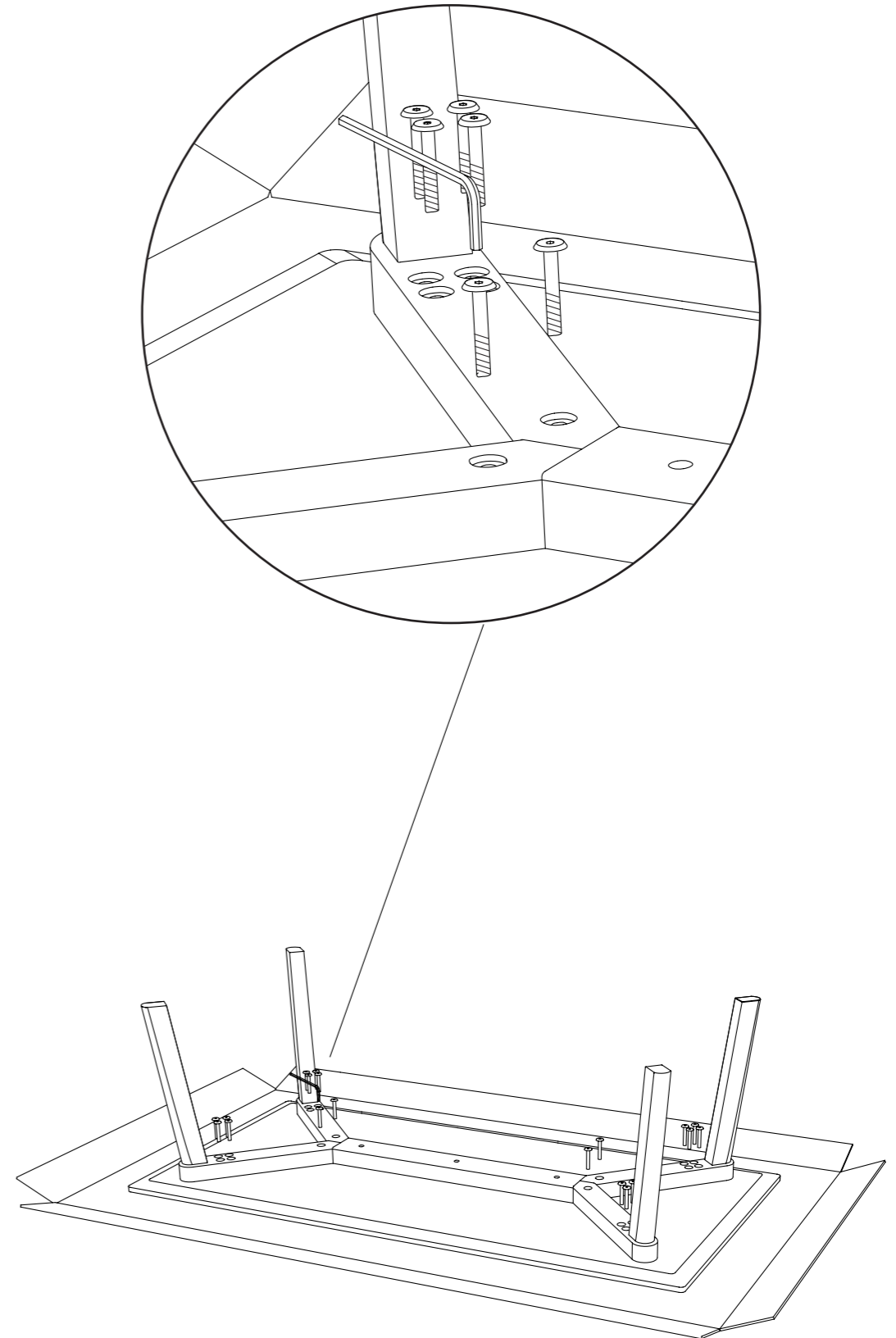
2.

Place the B parts and align them with the holes. Place part C in the holes. Gently tighten part C.



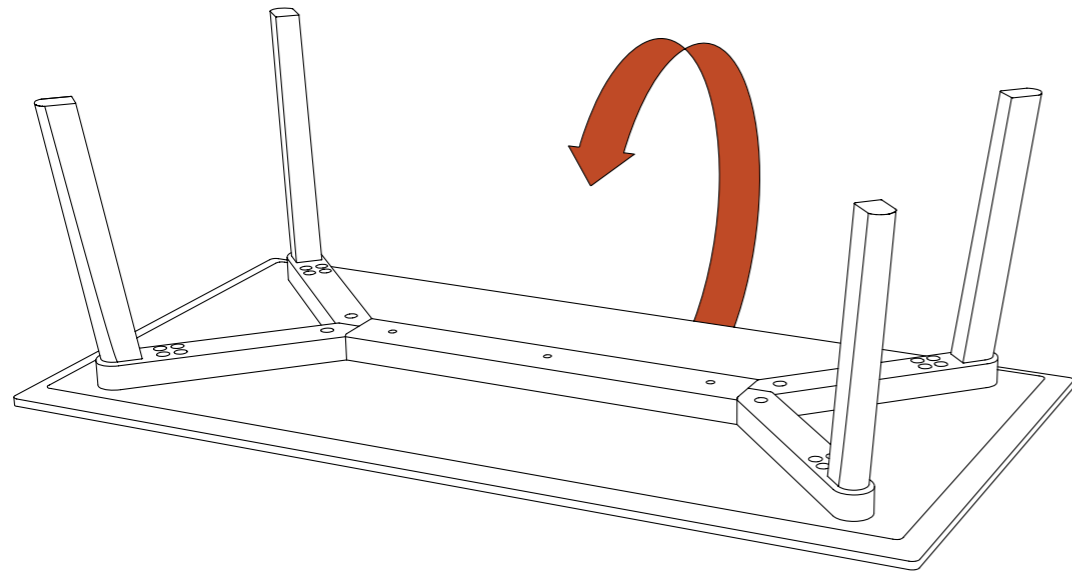
3.

Use the allen key to tighten the C parts completely.

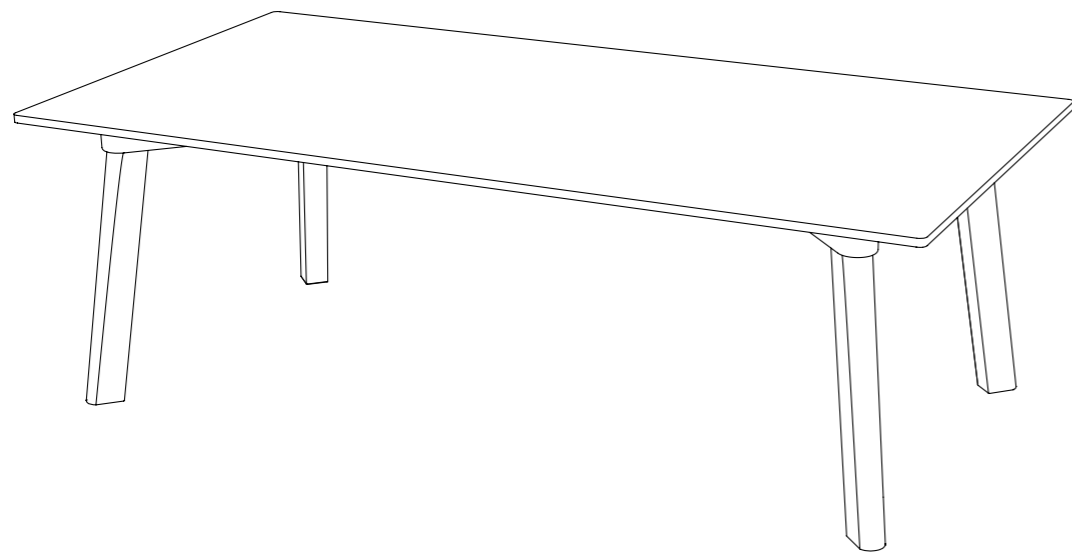


4.

Flip the table.



5.



Havnen 1 8700 Horsens Denmark
+45 4282 0282 / hay@hay.dk

HAY

ITEM NO. 706287



57 10441 209355